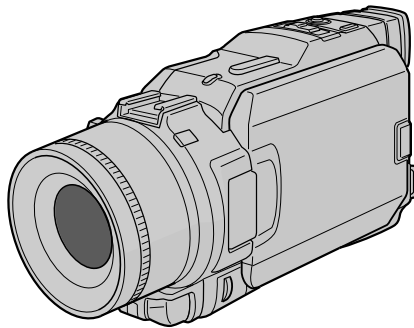


JVC

SERVICE MANUAL

DIGITAL VIDEO CAMERA

JY-VS200E



Regarding service information other than these sections, refer to the GR-DV2000EG service manual (No. 86604). Also, be sure to note important safety precautions provided in the service manual.

SPECIFICATIONS *(The specifications shown pertain specifically to the model JY-VS200E)*

Camcorder	
For General	
Power supply	: DC 6.3 V \equiv (Using AC Power Adapter/Charger) DC 7.2 V \equiv (Using battery pack)
Power consumption	
LCD monitor off, viewfinder on	: Approx. 4.4 W
LCD monitor on, viewfinder off	: Approx. 5.3 W
Dimensions (W x H x D)	: 74 mm x 90 mm x 178 mm (with the LCD monitor closed and the viewfinder pushed back in, without the lens hood)
Weight	: Approx. 660 g (without cassette, memory card and battery) Approx. 740 g (incl. cassette, memory card and battery)
Operating temperature	: 0°C to 40°C
Operating humidity	: 35% to 80%
Storage temperature	: -20°C to 50°C
Pickup	: 1/4" CCD (Progressive Scan)
Lens	: F 1.8, f = 3.8 mm to 38 mm, 10:1 power zoom lens
Filter diameter	: ϕ 52 mm
LCD monitor	: 3.5" diagonally measured, LCD panel/TFT active matrix system
Viewfinder	: Electronic viewfinder with 0.44" colour LCD
Speaker	: Monaural
For Digital Video Camera	
Format	: DV format (SD mode)
Signal format	: PAL standard
Recording/Playback format	: Video: Digital component recording : Audio: PCM digital recording, 32 kHz 4-channel (12-bit), 48 kHz 2-channel (16-bit)
Cassette	: Mini DV cassette
Tape speed	: SP: 18.8 mm/s LP: 12.5 mm/s
Maximum recording time (using 80 min. cassette)	: SP: 80 min. LP: 120 min.
For Digital Still Camera	
Storage media	: SD Memory Card/MultiMediaCard
Compression system	: JPEG (compatible)
File size	: 3 modes (UXGA: 1600 x 1200 pixels/XGA: 1024 x 768 pixels/ VGA: 640 x 480 pixels)
Picture quality	: 2 modes (FINE/STANDARD)
Approximate number of storable images (with the provided MultiMediaCard [8 MB])	
FINE	: 50 (VGA), 24 (XGA), 10 (UXGA)
STANDARD	: 150 (VGA), 72 (XGA), 30 (UXGA)
(with an optional MultiMediaCard [16 MB])	
FINE	: 100 (VGA), 48 (XGA), 20 (UXGA)
STANDARD	: 300 (VGA), 144 (XGA), 60 (UXGA)
For Connectors	
AV	
Video output	: 1 V (p-p), 75 Ω , analogue
Video input	: 0.5 V (p-p) - 2.0 V (p-p), 75 Ω , analogue
Audio output	: 308 mV (rms), 1 k Ω , analogue, stereo
Audio input	: 308 mV (rms), 50 k Ω , analogue, stereo
DV	
Output	: 4-pin, IEEE 1394 compliant
Input	: 4-pin, IEEE 1394 compliant
PHONE	
Headphone output	: ϕ 3.5 mm, stereo
MIC	
External microphone input	: 459 μ V (rms), high impedance unbalanced, ϕ 3.5 mm (stereo)
PRINTER	: For an optional video printer equipped with a PRINT DATA connector
AC power adapter/charger AA-V40EG or AA-V40EK	
Power requirement	: AC 110 V to 240 V \sim , 50 Hz/60 Hz
Power consumption	: 23 W
Output	
Charge	: DC 7.2 V \equiv , 1.2 A
VTR	: DC 6.3 V \equiv , 1.8 A
Dimensions (W x H x D)	: 68 mm x 38 mm x 110 mm
Weight	
AA-V40EG	: Approx. 260 g
AA-V40EK	: Approx. 340 g
Jack Box CU-V504U	
For General	
Dimensions (W x H x D)	: 37.5 mm x 18.5 mm x 55 mm
Weight	: Approx. 30 g
For Connectors	
USB	: TYPE B
S-VIDEO	: Y: 1 V (p-p), 75 Ω , analogue output C: 0.29 V (p-p), 75 Ω , analogue output
EDIT	: ϕ 3.5 mm, 2-pole
<i>Specifications shown are for SP mode unless otherwise indicated. E & O.E. Design and specifications subject to change without notice.</i>	

TABLE OF CONTENTS

DIFFERENT TABLE	1
4. CHARTS AND DIAGRAMS (4-1 to 4-10)	
4.1 MAIN CIRCUIT BOARD	4-1
4.2 AUDIO CIRCUIT BOARD	4-7
5. PARTS LIST (5-1 to 5-13)	
5.1 PACKING AND ACCESSORY ASSEMBLY <M1>	5-1
5.2 FINAL ASSEMBLY <M2>	5-3
5.3 ELECTRICAL PARTS LIST	5-6

The following table indicate main different points between models GR-DV2000EG and JY-VS200E.

ITEM	MODEL	GR-DV2000EG	JY-VS200E
COLOR BAR GENERATOR		Not Used	Used
MIC LEVEL INDICATOR		Not Used	Used

The following table indicate different parts number between models GR-DV2000EG and JY-VS200E.

PACKING AND ACCESSORY ASSEMBLY <M1> Note: As for IB (INSTRUCTIONS), refer to sec.5.

REF. NO	ITEM	MODEL	GR-DV2000EG	JY-VS200E
1	PACKING CASE		LY32212-001A	LY32212-005A
9	WARRANTY CARD		BT-54013-2	—
27	LENS HOOD		LY32003-001B	LY32317-001A

FINAL ASSEMBLY <M2>

REF. NO	ITEM	MODEL	GR-DV2000EG	JY-VS200E
△ 140	UPPER CASE ASSY		LY20659-003A	LY20659-005A
140B	SPECIAL SCREW,X3		LY30018-0A8A	LY30018-038A
144	SUB OPE.UNIT		LY32051-002A	LY32051-004A
160	FRONT COVER ASSY		LY20661-002A	LY20661-004A
160D	COVER(JACK)		LY31995-001A	LY31995-002A
161	HOOD		LY32009-001B	LY32009-003A
162	FOCUS UNIT		LY20654-001A	LY20654-002A
163	COVER(OP)		LY31996-002A	LY31996-004A
185	ZOOM OPE.UNIT		LY10262-002A	LY10262-004A
187	RING		—	LY32316-001A
188	LABEL(CAUTION)		—	LY43171-001A
190	COVER(JIG CONN)		LY41393-004A	LY41393-007A
211	SPECIAL SCREW		LY30018-059A	LY30018-023A
215	SPECIAL SCREW,X2		LY30018-059A	LY30018-023A
216	SPECIAL SCREW,X3		LY30018-006B	LY30018-053A
217	SPECIAL SCREW		LY30018-006B	LY30018-053A
218	SPECIAL SCREW		LY30018-026A	LY30018-019A
240	HEAT SINK(BASE)		* LY43002-001A	—
241	HEAT SINK(MAIN)		* LY42972-001A	—

MONITOR ASSEMBLY <M5>

REF. NO	ITEM	MODEL	GR-DV2000EG	JY-VS200E
△ 500	MONITOR ASSY		LYH20192-003A	LYH20192-008A
△ 501	MONITOR COVER ASSY		LY32013-003C	LY32013-009A
501A	MARK		LY42883-002A	LY42883-003A
501H	STICKER(2)		LY42980-002A	—
501J	STICKER(1)		LY42979-002B	—
508	HINGE COVER(U)		LY32018-001A	LY32018-002A
514	SPECIAL SCREW,X2		LY30018-028A	LY30018-042A

MAIN BOARD ASSEMBLY <01>

REF. NO	ITEM	MODEL	GR-DV2000EG	JY-VS200E
PW	MAIN BOARD ASSY		* YB10301C-03	YB10301F

DSC BOARD ASSEMBLY <02>

REF. NO	ITEM	MODEL	GR-DV2000EG	JY-VS200E
IC8204	IC		* K4S641632D-TC1H	HY57641620HGTH

Notes : Mark — is not used.
Mark * reference model was also changed.



JVC

VICTOR COMPANY OF JAPAN, LIMITED
VIDEO DIVISION

S40894

